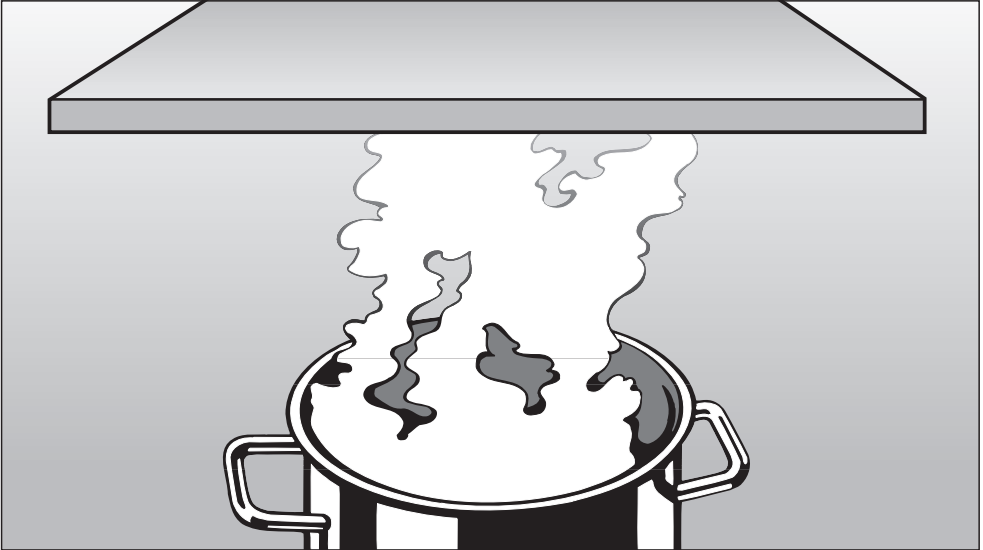


Miele

Operating and installation instructions



Ventilation System DA 229-2

To prevent accidents
and machine damage,
read these instructions
before installation or use.



M.-Nr. 05 603 730

Table of Contents

Warning and Safety instructions	3
Guide to the appliance	6
Functional description	8
Operation	9
Main power switch	9
Turning on the fan	9
Selecting the power level	9
Delayed Shut Down	9
Turning off the fan	10
Turning the lighting on / off	10
Grease filter timer	11
Checking the grease filter timer	11
Reprogramming the grease filter timer	12
Cleaning and Care	13
Cleaning the casing	13
Grease filters	14
Changing the light bulb	16
After Sales Service	17
Installation instructions	19

Warning and Safety instructions

Read these Operating Instructions carefully before installing or using the Ventilation System.

This appliance is intended for residential use only. Use the appliance only for its intended purpose. The manufacturer cannot be held responsible for damages caused by improper use of the hood.

This appliance complies with current safety requirements. Improper use of the appliance can lead to personal injury and material damage.

Read all instructions before installing or using for the first time.

Keep these operating instructions in a safe place and pass them on to any future user.

SAVE THESE INSTRUCTIONS AND REVIEW THEM PERIODICALLY

CAUTION

For General Ventilating Use Only.
Do Not Use To Exhaust Hazardous Or Explosive Materials And Vapors.

■ This appliance is designed to vent cooking smoke / odors only.

■ Be certain your appliance is properly installed and grounded by a qualified technician.

To guarantee the electrical safety of this appliance, continuity must exist between the appliance and an effective grounding system. It is imperative that this basic safety requirement be met. If there is any doubt, have the electrical system of the house checked by a qualified electrician. The manufacturer cannot be held responsible for damages caused by the lack, or inadequacy of, an effective grounding system.

■ Before connecting the appliance to the power supply make sure that the voltage and frequency listed on the data plate correspond with the household electrical supply. This data must correspond to prevent machine damage. Consult a qualified electrician if in doubt.

■ Installation work and repairs should only be performed by a qualified technician in accordance with all applicable codes and standards. Repairs and other work by unqualified persons could be dangerous and the manufacturer will not be held responsible.

Warning and Safety instructions

■ This equipment is not designed for maritime use or for use in mobile installations such as caravans or aircraft. However, under certain conditions it may be possible for an installation in these applications. Please contact the nearest Miele dealer or the Miele Technical Service Department with specific requirements.

■ Before servicing, disconnect the power supply by either removing the fuse, unplugging the unit or manually "tripping" the circuit breaker.

■ Before discarding an old appliance, unplug it from the power supply and remove the power cord and any doors to prevent hazards.

Use

■ Do not allow children to play with or operate the appliance or its controls. Supervise its use by the elderly or infirm.

■ Be careful when preparing a flambé beneath the hood. Flames may be drawn up into the hood by the suction or grease filters may catch fire.

■ Never operate gas burners without pots.

■ Do not leave cooking surfaces unattended while in use. Overheated food, oil and grease can catch fire.

■ Do not use the hood without the grease filters in place.

■ Clean the grease filters regularly. Dirty filters are a fire hazard.

■ Do not use a steam cleaner to clean the hood. Steam could penetrate electrical components and cause a short circuit.

■ In areas subject to infestation by cockroaches or other pest, keep the appliance and its surroundings clean at all times. Any damage caused by cockroaches or other pest will not be covered under warranty.

Installation

■ When installing the hood, make sure that the following minimum safety distances between Miele cooktops and the hood are maintained.

- 22" (55 cm) above electric cooktops
- 26" (65 cm) above gas cooktops
- 26" (65 cm) above an open grill

For non-Miele cooking appliances maintain the safety distances recommended by the cooktop manufacturer in their installation and operating instructions.

If there is more than one appliance beneath the hood and they have different minimum safety distances always select the greater distance.

Warning and Safety instructions

Do not use an extension cord to connect the appliance to electricity. Extension cords do not guarantee the required safety of the appliance, (e.g. danger of overheating).

Do not install this hood over cooktops burning solid fuel.

Any fittings, sealant, or materials used to install the ductwork must be made of approved non-flammable materials.

Never connect an exhaust hood to an active chimney, dryer vent, vent flue, or room ventilating ductwork. Seek professional advice before connecting an exhaust hood vent to an existing, inactive chimney or vent flue.

Make sure that the airflow in the room is sufficient for combustion and exhausting of all non-electric heating appliances (water heaters, gas cooktops, gas ovens, etc.), otherwise backdrafts may occur. Follow the heating manufacturer's guidelines and safety standards or those published by the National Fire Protection Association (NFPA), or the American Society for Heating, Refrigeration and Air Conditioning Engineers (ASHRAE). If in doubt, consult an experienced professional.

WARNING

TO REDUCE THE RISK OF INJURY TO PERSONS IN THE EVENT OF A RANGE TOP GREASE FIRE, OBSERVE THE FOLLOWING:

Smother flames with a close fitting lid, cookie sheet, or metal tray, then turn off the burner.

Be careful to prevent burns.

If the flames do not go out immediately, **evacuate and call the fire department.**

Never pick up a flaming pan - You may be burned.

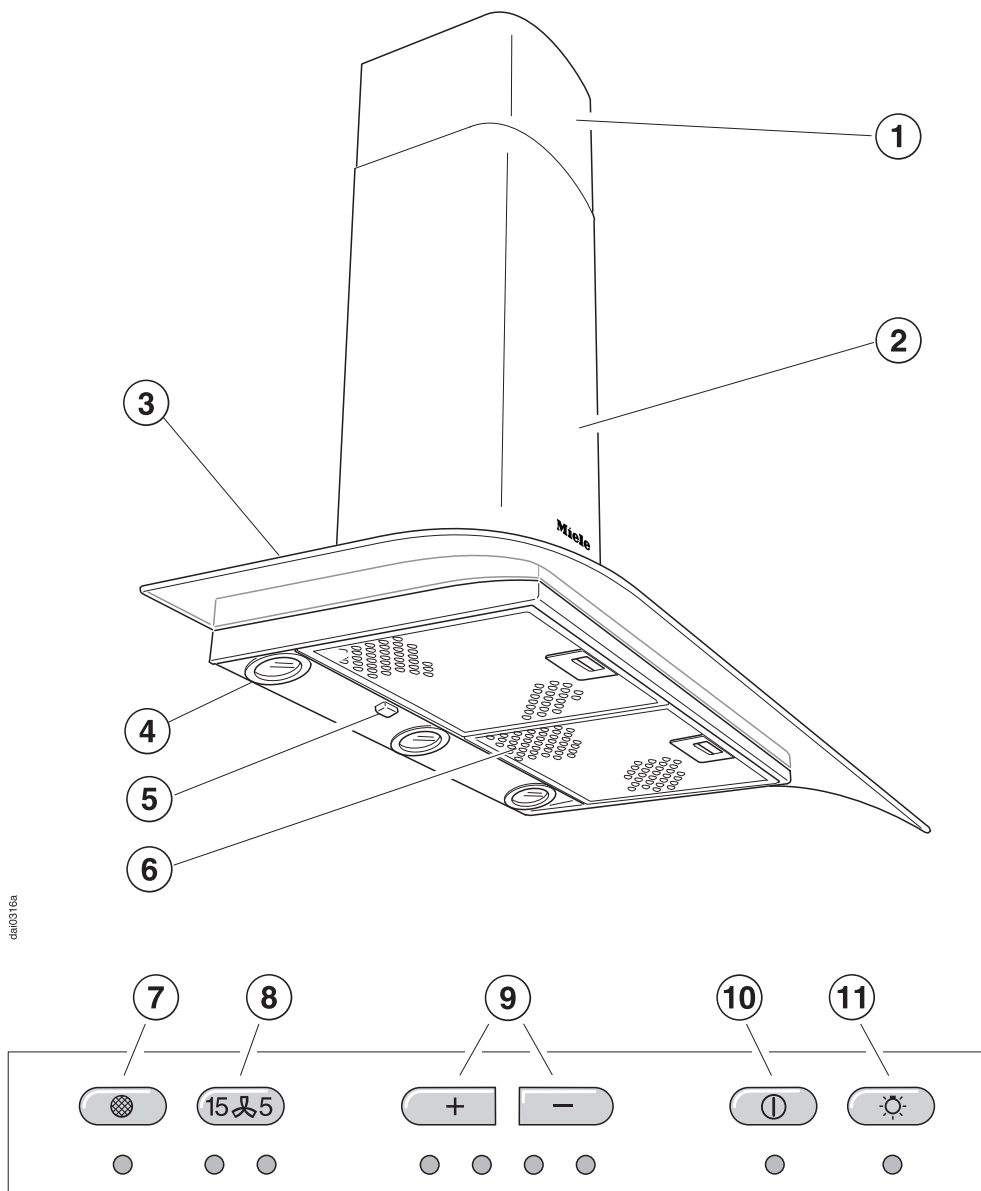
Do not use water, including wet dishcloths or towels - a violent steam explosion will result.

Use an extinguisher only if:

- You know you have a Class ABC extinguisher, and you already know how to operate it.
- The fire is small and contained in the area where it started.
- The fire department is being called.
- You can fight the fire with your back to an exit.

The manufacturer cannot be held liable for damage caused by non-compliance with these Warning and Safety instructions.

Guide to the appliance



dai00316a

① **Chimney extension**

② **Chimney**

③ **Canopy**

④ **Overhead lighting**

⑤ **Main power switch**

⑥ **Grease filter**

⑦ **Grease filter button**

The indicator below the grease filter button lights when the grease filters need to be cleaned.

This button is also used:

- to reset the grease filter timer after cleaning the grease filters (see "Cleaning and Care").
- to show how long the grease filter has been in use (see "Operation / Grease filter timer").
- to change the number of hours counted by the grease filter timer (see "Operation / Reprogramming the grease filter timer").

⑧ **Delayed Shut Down**

This button activates the Delayed Shut Down feature. The fan can be set to turn off automatically after either 5 or 15 minutes.

⑨ **Fan power level buttons**

Four fan speed selection.

⑩ **On/Off button**

⑪ **Light button**

Functional description

The ventilation hood works by air extraction. The air is drawn in and cleaned by the grease filters and directed outside.

The hood comes equipped with a **non-return flap**. This flap automatically closes when the hood is turned off so that no exchange of outside air and room air can occur. When the hood is turned on, the air pressure of the exhaust fan automatically opens the flap blowing the inside air and cooking odors outside.

Main power switch



Press the main power switch to "I". The fan and the lighting can now be operated.

If the appliance is not going to be used for a long period of time (e.g. while vacationing) turn the appliance off by pressing the main power switch to "0".

The next time it is turned on, the hood will operate at the level previously used.

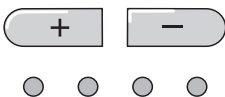
Turning on the fan



- Press the On/Off button.

The fan runs at power level "2".
The On/Off indicator lights.

Selecting the power level



- Use the (+) (-) controls to select the desired power level.

(+) = increases the fan speed
(-) = decreases the fan speed

Level "1" to "3" (green indicators) are usually sufficient for normal cooking.

Intensive setting

Level "4" (yellow indicator) should be used for a short period when frying or cooking food with a strong aroma.

Fan performance

The maximum air flow capacity is 625 cfm. Factors such as narrow duct diameter and bends will affect this value.

Level 1 operates at 40% capacity
Level 2 operates at 60% capacity
Level 3 operates at 80% capacity
Level 4 operates at 100% capacity

Delayed Shut Down

If odors or smoke remain in the kitchen after cooking has been completed, the Delayed Shut Down feature can be selected to allow the hood to continue running for either 5 or 15 minutes.



- Press the Delayed Shut Down button while the fan is still running.

Press once = 5 minute delay
(left indicator lights)

Press twice = 15 minute delay
(right indicator lights)

To cancel the Delayed Shut Down feature press the button again.

Operation

Turning off the fan



- Press the On/Off button to turn the fan off.

The indicator goes out.

Automatic Safety Shut Off

The fan will be turned off automatically 10 hours after the last button was activated. The lighting however, will remain on.

- Press the On/Off button to turn the fan back on.

Turning the lighting on / off

The overhead lighting can be turned on and off independently of the fan.



- Press the light button to turn on the lighting.

The light button indicator illuminates.

- Press the light button again to turn off the lighting.

Grease filter timer

A timer monitors the hours of fan operation. The indicator for the grease filter will light after 30 hours of operation. The grease filters must then be cleaned.

After the grease filters have been cleaned and put in place, the grease filter timer must be reset.



- To do this, press the grease filter button for about 3 seconds.

The indicator will go out.

Checking the grease filter timer

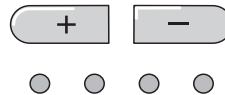
To check the percentage of time already used:





- Press the On/Off button to turn the fan on.



- Press the grease filter button.



The number of flashing   indicators show the percentage of programmed hours that have been used.

- 1 indicator = less than 25 %
- 2 indicators = less than 50 %
- 3 indicators = less than 75 %
- 4 indicators = less than 100 %

This information will remain stored in memory in the event of a power failure.

Operation

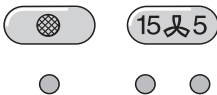
Reprogramming the grease filter timer

The grease filter timer is preset to 30 hours. This time can be lengthened or shortened to 20, 30, 40 or 50 hours.

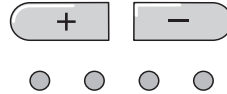
- A time of 20 hours should be programmed in kitchens with frequent pan or deep frying.
- A time of 20 hours should also be programmed if the kitchen is only used occasionally. Otherwise grease which has accumulated over a long period of time will harden on the filters making cleaning more difficult.



- Press the On/Off button to turn off the fan.



- Press the Delayed Shut Down and grease filter buttons at the same time.



The indicator for the grease filter and one of the (+) (-) indicators will flash.

The lit (+) (-) indicator shows the programmed time:

- 1st indicator from the left = 20 hours
- 2nd indicator from the left = 30 hours
- 3rd indicator from the left = 40 hours
- 4th indicator from the left = 50 hours.

- Use the (+) or (-) button to select the desired time.



- Store the selection by pressing the grease filter button.

If the procedure is not stored within 4 minutes of programming, the hood will automatically default to the "old" data.

Before cleaning or servicing the hood, disconnect it from the power supply by either removing the fuse, unplugging it from the outlet or manually "tripping" the circuit breaker.

Cleaning the casing

Warning: Never use abrasive cleaners, scouring pads, steel wool or caustic (oven) cleaners on the hood. They will damage the surface.

- All external surfaces and controls can be cleaned with warm water and liquid dish soap applied with a soft sponge.
- Wipe dry using a soft cloth.

Do not use too much water when cleaning the controls. Water could penetrate into the electronics and cause damage.

- Glass surfaces can be cleaned using glass cleaner.

Avoid:

- cleaning agents containing soda, acids or chlorides,
- abrasive cleaning agents e.g. powder or cream cleansers,
- abrasive sponges, e.g. pot scourers or sponges which have been previously used with abrasive cleaning agents.

These will damage the surface.

Stainless steel

Stainless steel surfaces can be cleaned using a non-abrasive stainless steel cleaner.

To help prevent resoiling, a conditioner for stainless steel can also be used. Apply sparingly with even pressure.

Stainless steel colored controls

These controls may become discolored or damaged if not cleaned regularly.

Do not use a stainless steel cleaner on these controls.

Cleaning and Care

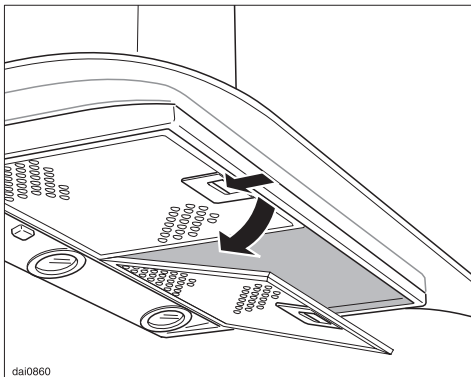
Grease filters

The reusable metal grease filters remove solid particles from the vented kitchen air (grease, dust, etc).



The grease filters should be cleaned every 3-4 weeks or whenever the grease filter indicator lights.

A dirty filter is a fire hazard.



- To remove the grease filters press the locking clips in towards the middle of the filter. Holding carefully, lower and remove the filter.
- Clean the filters
 - **by hand:** use a scrub brush in warm water with a mild detergent.
 - **in a dishwasher:** place the filters in the lower basket, making sure that the spray arm is not blocked.

Depending on the detergent, cleaning the grease filters in a dishwasher may cause permanent discoloration of the filter surface. Performance of the filter will not be affected by this discoloration.

- After cleaning, the filters can be placed on a towel to air dry.
- While the filters are removed, clean any dirt or grease from the filter casing to prevent the risk of fire.

When putting the grease filters back make sure that the locking clips are visible facing down towards the cooking surface.

If a filter is incorrectly installed, insert a small screwdriver into the slit along its edge to disengage it from the casing.



- After returning the grease filters, press the grease filter button for 3 seconds to reset the timer. The indicator light will go out.
- If the grease filters are cleaned before the timer has reached its maximum, the grease filter button should be pressed for 6 seconds to reset the counter to zero.

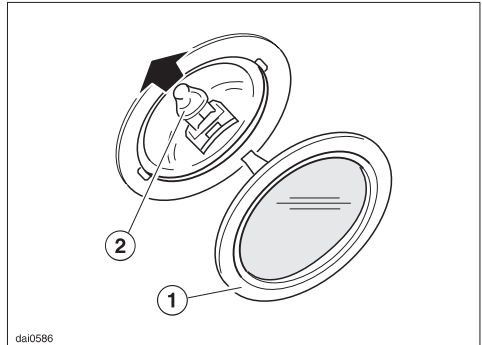
Cleaning and Care

Changing the light bulb

Before changing the light bulbs, disconnect the hood from the power supply by either removing the fuse, unplugging it, or manually "tripping" the circuit breaker.

When in use halogen bulbs become extremely hot, and they can burn your hands. Do not attempt to change the bulbs until they have had sufficient time to cool down.

Do not touch the bulb surface. Fingerprints or body oils deposited on the bulb will decrease the life of the bulb. Please follow the bulb manufacturer's instructions.



- To change the halogen bulb first remove the lamp cover, ①.
- Pull the bulb, ②, out of its socket and replace with a new one.
- Return the lamp cover, ①.

Never use the lighting without the lamp cover, ①, in place. The glass is specially made to filter harmful light rays.

In the event of a fault which you cannot correct yourself please contact:

– Your Miele Dealer

or

– The Miele Technical Service
Department

USA 1-800-999-1360
techserv@mieleusa.com

CDN 1-800-565-6435
service@miele.ca

When contacting the Technical Service Department, please quote the model and serial number of your appliance. These are shown on the data plate which is visible when the grease filters are removed.

Installation instructions

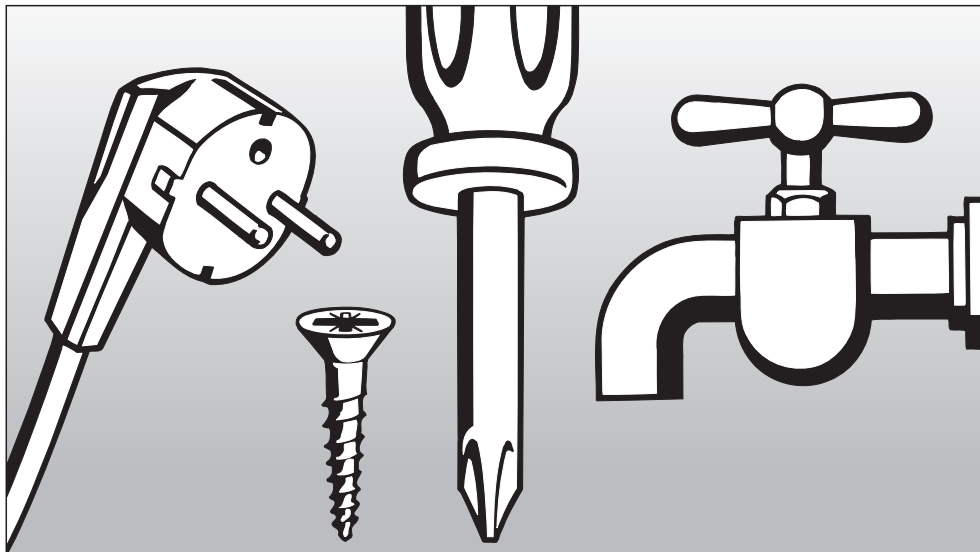


Table of Contents

Caring for the environment	21
Installation accessories	22
Plywood backing	24
Electrical data	25
Appliance dimensions	26
Installation	28
Retaining plates	28
Attaching the canopy	31
Inserting the non-return flap	32
Electrical connection	33
Exhaust connection	33
Attaching the chimney extension	34
Attaching the chimney	35
Air extraction	36

Disposal of packing material

The cardboard box and packing materials protect the appliance during shipping. They have been designed to be biodegradable and recyclable. Please recycle.

Ensure that any plastic wrappings, bags etc. are disposed of safely and kept out of the reach of children. Danger of suffocation!

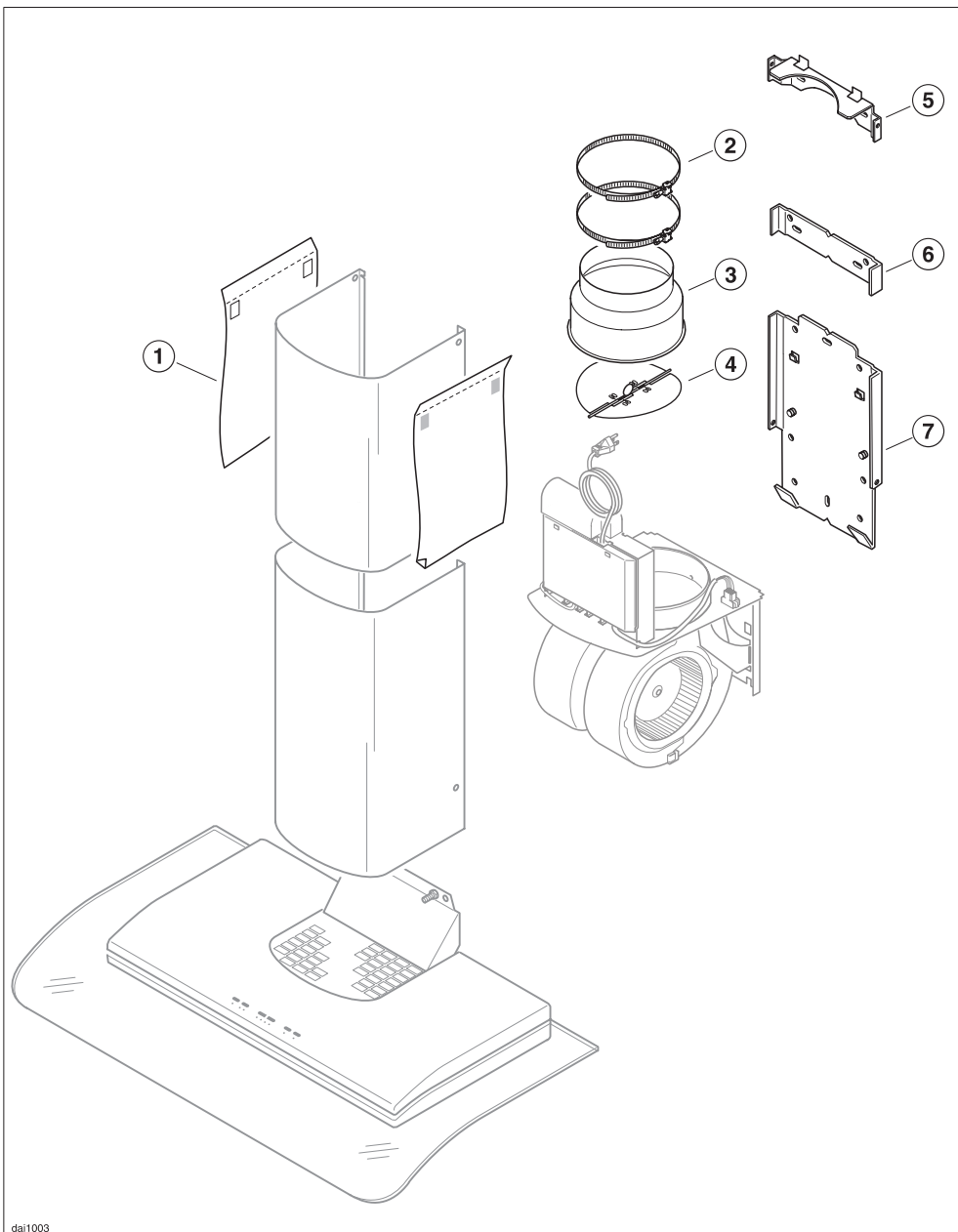
Disposal of an old appliance

Old appliances may contain materials that can be recycled. Please contact your local recycling authority about the possibility of recycling these materials.

Before discarding an old appliance, unplug it from the outlet and cut off its power cord and remove any doors to prevent hazards.

See the Warning and Safety instructions.

Installation accessories



dai1003

Installation accessories

① **2 protective shields**

prevent scratches to the chimney during installation.

② **2 hose clips** for securing the ducting.

③ **1 reducing collar**

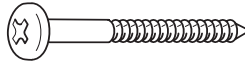
for use with 5" (125 mm) exhaust ducting.

④ **1 non-return flap**

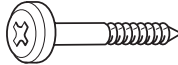
⑤ **Upper retaining plate B** secures the chimney extension.

⑥ **Middle retaining plate C** for additional stability of the chimney.

⑦ **Lower retaining plate A** secures the canopy and the motor assembly.



6 screws 5 x 60 mm



10 large headed screws 5 x 40 mm

(S8 wall anchors included in the packaging are not for use in USA/CDN.)



2 M 6 locking nuts for securing the motor assembly.



4 screws 3.9 x 7.5 mm for securing the chimney and the chimney extension.

CAUTION:

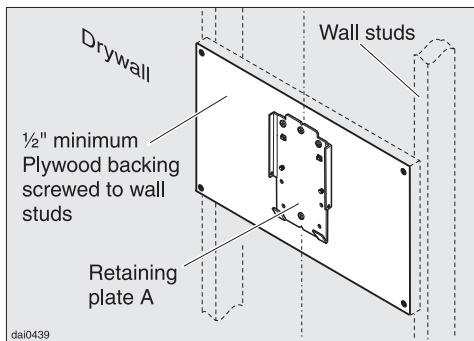
During the installation process, please be careful of sharp edges that can cause harm.

Plywood backing

The majority of the weight of the installed ventilation system will be supported by retaining plate A. It must be firmly attached to the stud framing behind the drywall. If studs are not available in the required locations, a plywood backing (min. $\frac{1}{2}$ " (13 mm) thick) spanning at least two studs must be installed. Failure to adequately support the weight as stated may result in the ventilation system falling off the wall, causing personal injury and property damage.

(If plywood backing is not needed, proceed to "Attaching the retaining plates to the wall.")

To install a plywood backing board



- Make a mark, **S** + $16\frac{3}{4}$ " (425 mm) above the cooktop and on the center-line.
- Make a second mark $12\frac{3}{4}$ " (324 mm) underneath the first one.

- Hold retaining plate A against the wall so that the marks are visible through the holes of the plate (see "Installation / Retaining plate A"). Draw a line around the plate's perimeter, then set aside the plate.
- Make a cutting line 3" (76 mm) above and 3" (76 mm) below the outline of plate "A".
- Find the studs to the left and right of the mounting location by tapping the wall or using a stud finder.
- Mark a vertical cutting line along the center of each stud.

Be careful not to damage any wiring or plumbing that may be located behind the wall. Make sure that the power supply to the area where this installation is being performed has been turned off at the breaker panel before cutting into the wall.

- Remove the drywall between the cutting lines and replace it with plywood of a matching thickness (min. $\frac{1}{2}$ " (13 mm) thick). Tape the joints and refinish the wall.
- Proceed to "Attaching the Retaining plates to the wall" to complete the installation.

All electrical work should be performed by a qualified electrician in strict accordance with national and local safety regulations.

Installation, repairs and other work by unqualified persons could be dangerous. The manufacturer can not be held responsible for unauthorized work.

Ensure that power to the appliance is OFF while installation or repair work is performed.

Important

The hood comes equipped with a 5 ft (1.5 m) power cord with a NEMA 5-15 molded plug for connection to a 120 VAC, 60 Hz, 15 A power outlet.

Maximum load	410 W
Lighting	3 x 20 W
Voltage	120 V
Frequency	60 Hz
Circuit rating	15 A

Verify that the voltage, load and circuit rating information found on the data plate (located behind the grease filters), match the household electrical supply before installing the hood.

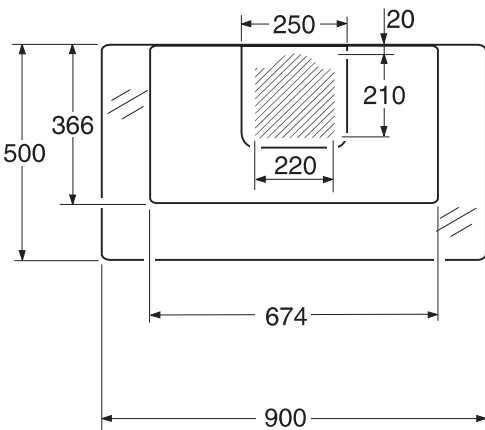
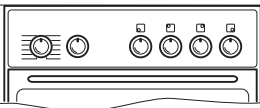
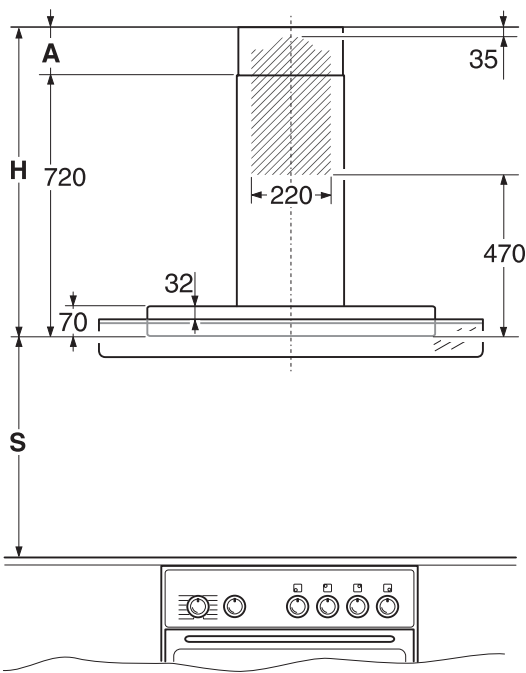
If there is any question concerning the electrical connection of this appliance to your power supply, please consult a licensed electrician or call Miele's Technical Service Department.

USA 1-800-999-1360

CDN 1-800-565-6435

WARNING:
THIS APPLIANCE MUST BE
GROUNDED

Appliance dimensions



mm	inch
20	7/8"
32	1 1/4"
35	1 3/8"
50	2"
70	2 3/4"
210	8 1/4"
220	8 11/16"
240	9 7/16"
250	9 13/16"
366	14 7/16"
470	18 1/2"
500	19 11/16"
674	26 9/16"
720	28 3/8"
900	35 7/16"

dai0442

Appliance dimensions

Do not install this exhaust hood over cooktops burning solid fuel.

When installing the hood, make sure that the following **minimum distance (S)** between the top of a Miele cooking surface and the bottom of the hood is:

- 22" (55 cm) above electric cooktops
- 26" (65 cm) above gas cooktops
- 26" (65 cm) above an open grill

For non-Miele cooking appliances maintain the safety distances recommended by the cooktop manufacturer in their installation and operating instructions.

If there is more than one appliance beneath the hood and they have different minimum safety distances always select the greater distance.

See "Warning and Safety instructions" for further information.

26" (65 cm) is recommended for all installations to allow for optimum work space under the hood.

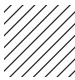
Read the entire installation procedures and determine height **S** before beginning the installation.

If the hood is fitted flush to the ceiling make sure that the remaining distance to the ceiling is not greater or less than appliance height **H**.

Standard unit height **H**:

DA 229-2. 29 $\frac{1}{8}$ " - 42 $\frac{1}{8}$ "
. (740 - 1070 mm)

To fit the chimney, distance **A** between the top of the chimney and the ceiling must be at least $\frac{7}{8}$ " (20 mm).

 Cut out area in wall or ceiling for entrance of 6" (150 mm) ductwork or 5" (125 mm) ductwork with a reducing collar.

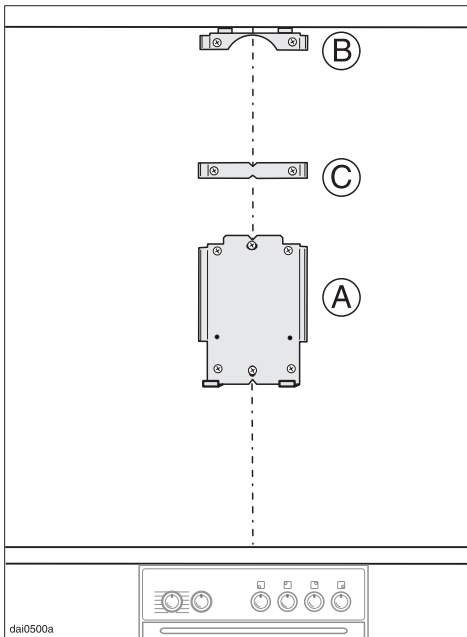
If the standard unit height **H** is not suitable to the kitchen's ceiling height, longer optional chimney extensions are available from your Miele dealer or Miele's Technical Service Department.

Extension available for this model:

DATK 229-650. 42 $\frac{1}{8}$ " - 53 $\frac{3}{4}$ "
. 1070 mm - 1350 mm

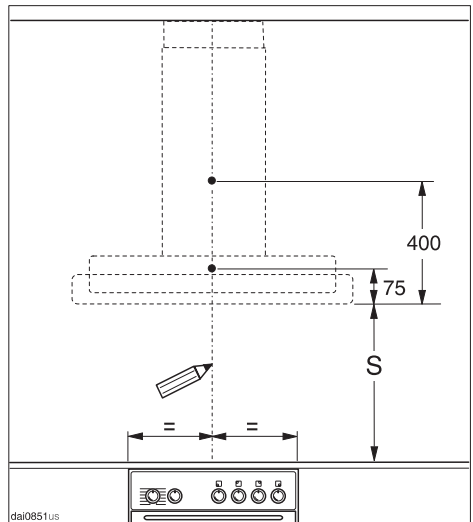
Installation

Retaining plates



The ventilation system will be mounted to the wall through the use of retaining plates. Plate A is installed first, followed by plate B. Plate C should only be used if the distance between plate A and plate B is greater than $14 \frac{3}{8}$ " (365 mm).

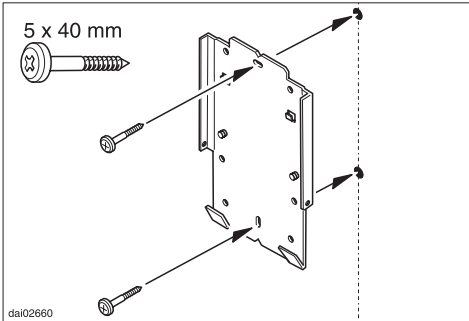
Attaching the retaining plates to the wall



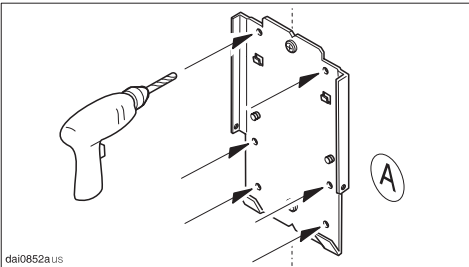
- Before fitting the retaining plate draw a vertical line centrally above the cooktop on the rear wall.
- Mark measurement **S** from the cooktop surface upwards (see "Appliance dimensions"). This marks the height of the lower rim of the hood.

Retaining plate A

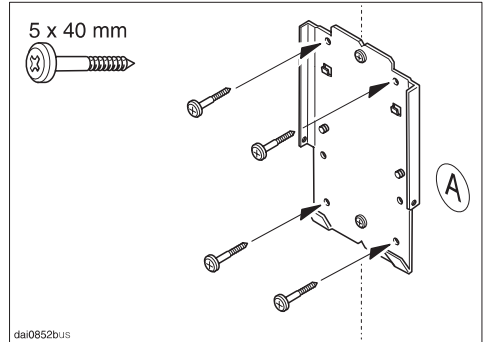
- Drill two $\frac{1}{8}$ " (3 mm) holes, one at **S** + 3" (75 mm) and one at **S** + 15 $\frac{3}{4}$ " (400 mm) on the center line (see "Appliance dimensions").



- Lightly secure retaining plate A into position using 5 x 40 mm screws through the two holes and use the notches to align with the center line.



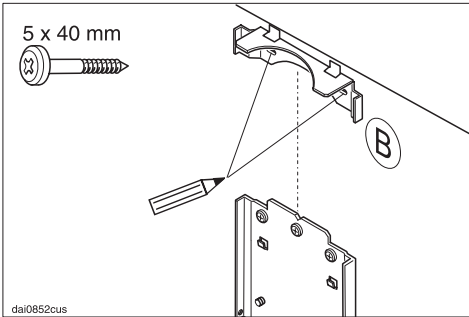
- Drill 6 more $\frac{1}{8}$ " (3 mm) holes through the now fitted retaining plate.



- Screw four 5 x 40 mm screws into the upper and lower set of holes to secure retaining plate A.

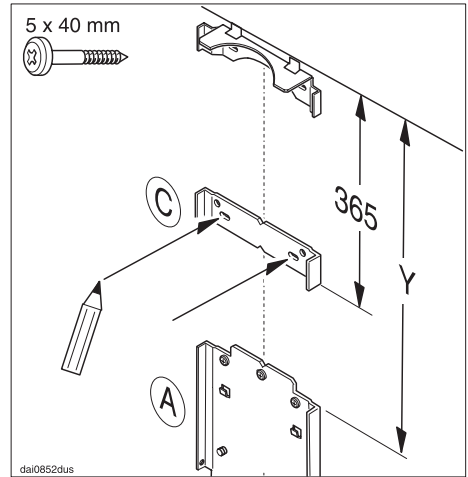
Installation

Retaining plate B



- Hold retaining plate B to the wall and push up until it is directly below the ceiling. Use the notches and the center line to align it horizontally. Mark the 2 drill holes on the wall.
- Drill two $\frac{1}{8}$ " (3 mm) holes into the wall.
- Secure the retaining plate with two 5 x 40 mm screws.

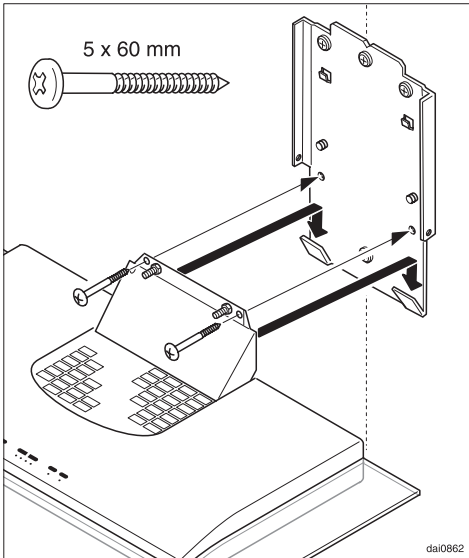
Retaining plate C



Retaining plate C should only be used if dimension Y is greater than $14 \frac{3}{8}$ " (365 mm). It provides additional stability for the chimney extension.

- At a maximum distance of $14 \frac{3}{8}$ " (365 mm) from the ceiling hold retaining plate C against the wall and use the notches to align it with the center line. Mark the two drill holes.
- Drill two $\frac{1}{8}$ " (3 mm) holes into the wall.
- Secure retaining plate C with two 5 x 40 mm screws.

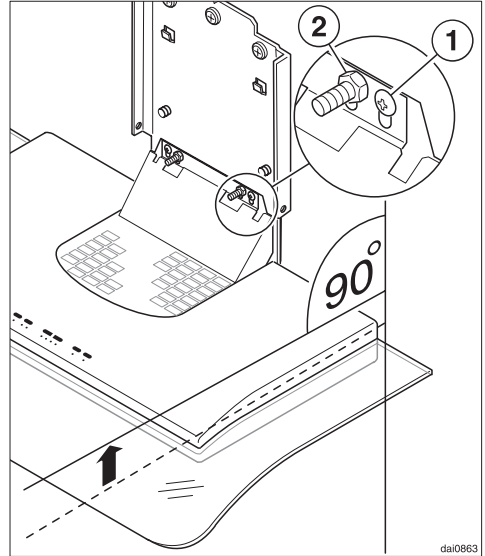
Attaching the canopy



- Hang the canopy on the angled brackets on retaining plate A.
- Secure the canopy with two screws 5 x 60 mm.

Adjusting the canopy

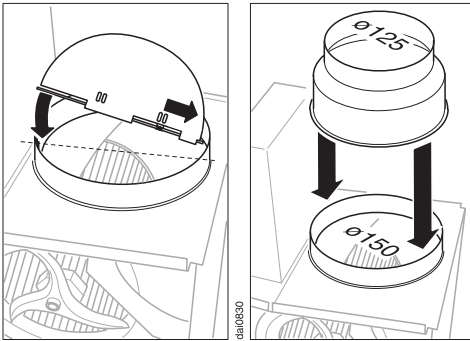
If the canopy is not perpendicular to the wall it can be adjusted.



- Loosen the two securing screws, ①.
- Slightly loosen the adjusting screws, ②.
- Adjust the canopy so that it is level and perpendicular to the wall.
- Tighten the adjusting screws, ② and the securing screws, ①.

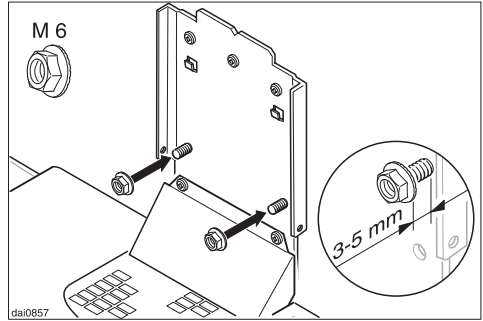
Installation

Inserting the non-return flap

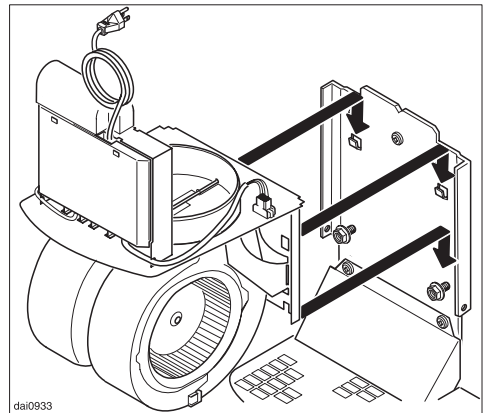


- If a non-return flap is not present in the venting system, the **non-return flap** supplied must be fitted into the exhaust connection on the motor. The flaps must open upwards.
- The hood is designed for 6" (150 mm) exhaust ducting. If 5" (125 mm) exhaust ducting is used the **reducing collar** must be fitted into the exhaust connection on the motor (see "Air extraction").

Attaching the motor assembly



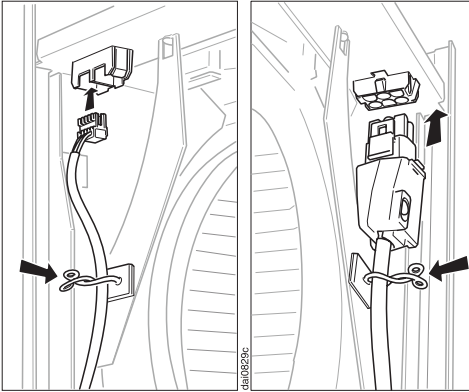
- First loosely screw the two locking nuts onto the threaded bolts on retaining plate A. Leave a gap of $\frac{1}{8}$ " (3 mm) for hanging the motor on.



- Fit the motor assembly onto the hooks on retaining plate A and slide down behind the nuts.
- Tighten the nuts.

Electrical connection

Before connecting the appliance read the "Warning and Safety Instructions" and the "Electrical data" sections.



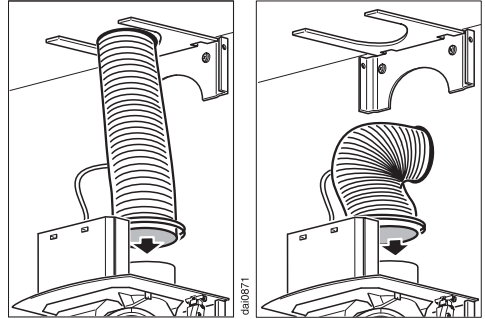
- Plug the connectors on the canopy into the corresponding receptacles left and right of the motor assembly.

Insert the 4 prong connector into the receptacle left of the motor assembly.

Insert the 6 prong connector into the receptacle right of the motor assembly.

- Secure the cords with the ties, as shown above.
- Plug in the power cord.

Exhaust connection



- Connect the ductwork to the exhaust connection using whatever means are appropriate for the type of ductwork being installed (hose clamp, duct tape, etc.).
- Direct the duct through the back wall or ceiling.

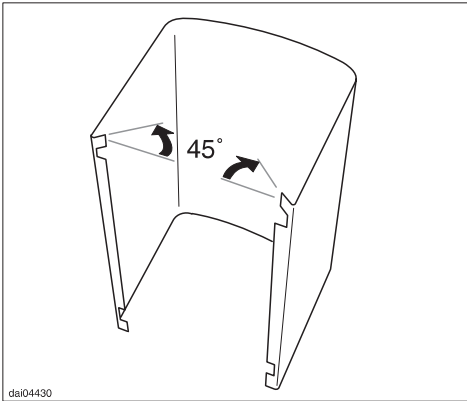
See "Air extraction" for further details.

Installation

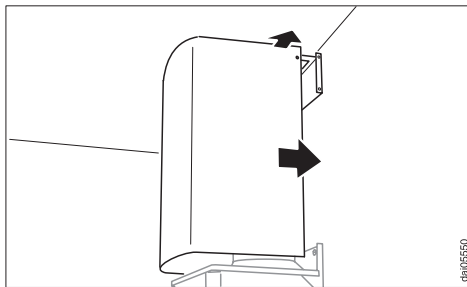
Attaching the chimney extension

The use of a chimney extension, allows the hood to be installed at various distances from the ceiling.

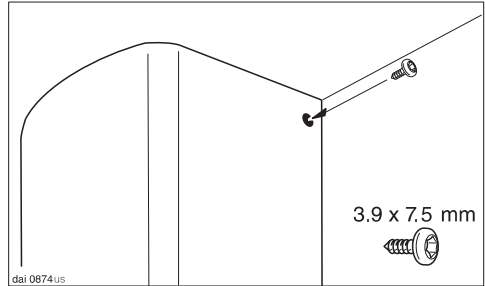
- Remove the protective foil from the chimney extension.



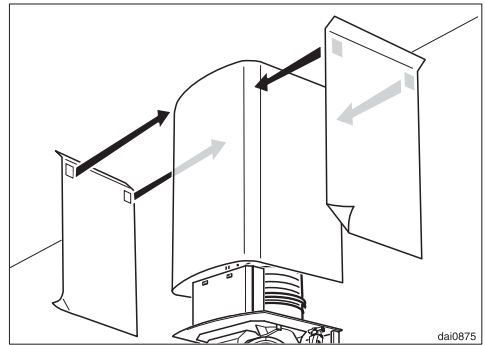
- Bend the top hanging tabs 45° inwards. This will make installing the chimney extension easier. Be careful of sharp edges.



- Pull the chimney extension slightly outwards and snap over the upper retaining plate B.

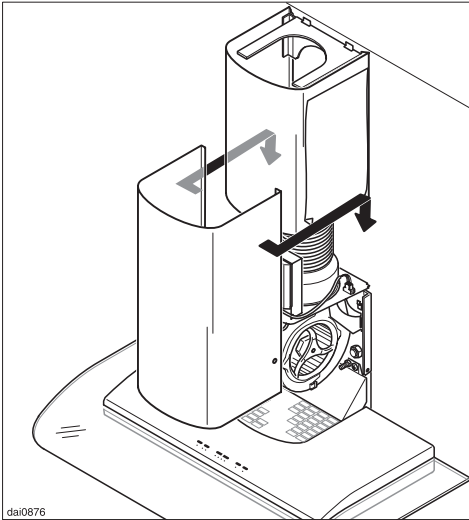


- Secure the chimney extension to the upper retaining plate with two 3.9 x 7.5 mm screws.

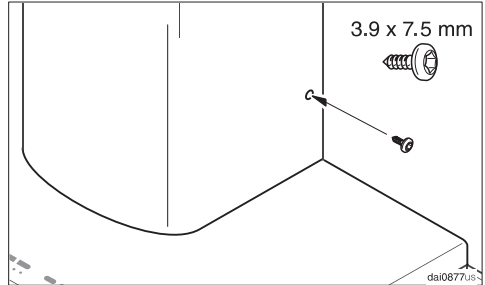


- Fold the protective shield at the top.
- Remove the adhesive backing from the shield.
- Stick the shield to the chimney extension so that it is smooth and flush with the bottom.

Attaching the chimney

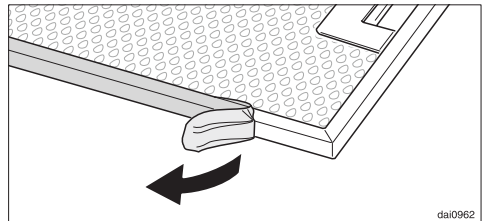


- Remove the protective foil from the chimney.
- Pull the chimney apart slightly and slide it over the chimney extension. Do this carefully to prevent scratching the two pieces.
- Slide the chimney down about $\frac{3}{4}$ " (2 cm) into the canopy.
- Align and adjust the chimney.
- Remove the protective shields.



- Secure the chimney to retaining plate A on both sides with two 3.9 x 7.5 mm screws.
- Remove the protective foil from the canopy.

If the chimney is not tall enough an optional chimney extension can be ordered. See "Appliance dimensions".



- Before using the appliance remove the grease filter and remove the protective foil from the filter frame. Return the filter.

Air extraction

Danger of toxic fumes.

Gas cooking appliances release carbon monoxide that can be harmful or fatal if inhaled. **The exhaust gases extracted by the hood should be vented outside of the building only.**

Do not terminate the exhaust ducts in attics, garages, crawlspaces, etc.

Please read and follow the "**Warning and Safety Instructions**" to reduce the risk of personal injury. Follow all local building codes when installing the hood.

Exhaust ducting and connections

- The ducting should be as short and straight as possible, and the number of sharp bends should be minimized.
- For most efficient air extraction, the diameter of the ductwork should not be less than 6" (150 mm). Use of flat ducts also reduces the air extraction efficiency.
- Noise levels of the hood will increase if flat ducts or round ducts of less than 6" (150 mm) in diameter are used.

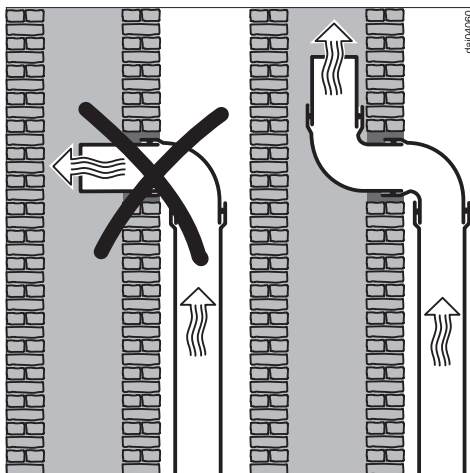
WARNING

To reduce the risk of fire, only use metal ductwork.

CAUTION

To reduce risk of fire and to properly exhaust air, be sure to duct air outside. Do not vent exhaust air into spaces within walls or ceilings or into attics, crawl spaces, or garages.

- Use smooth or flexible pipes made from approved non-flammable materials for exhaust ducting.
- Where the ductwork is horizontal, it must slope away from the hood at least $\frac{1}{8}$ " per foot (1cm per meter) to prevent condensation dripping into the appliance.
- If the exhaust is ducted through an outside wall, a Miele Telescopic Wall Vent can be used.



- If the exhaust is ducted into an inactive flue, the air must be expelled parallel to the flow direction of the flue.

Never connect an exhaust hood to an active chimney, dryer vent, vent flue, or room venting ductwork. Seek professional advice before connecting an exhaust hood vent to an existing, inactive chimney or vent flue.

Ductwork with a diameter of less than 6" (150 mm) should only be used when absolutely necessary. As duct diameter decreases, the hood's performance and sound levels will be affected.

Important:

If the ductwork runs through rooms, ceilings, garages, etc. where temperature variations exist, it may need to be insulated to reduce condensation. In some cases, a condensate trap may also be required to collect and evaporate any condensate which may occur.

When installing a condensate trap, ensure that it is positioned vertically and if possible directly above the exhaust outlet.

Miele, Inc.

National Headquarters

9 Independence Way
Princeton, NJ, 08540
Phone: 800-843-7231
609-419-9898
Fax: 609-419-1435
Technical Service: 800-999-1360
www.mieleusa.com

New England Showroom

555 Washington Street
Wellesley, MA, 02482
Phone: 781-431-2225
Fax: 781-431-0003

Southeast Regional Headquarters

7680 North Federal Hwy
Boca Raton, FL, 33487
Phone: 561-995-8030
Fax: 561-995-8083

West Coast Regional Headquarters

680 Eighth Street
Suite 169A - Sobel Design Building
San Francisco, CA, 94103
Phone: 800-245-8215
415-241-6820
Fax: 415-241-6822

WEST COAST REGIONAL SERVICE 800-245-8215

Southern California Showroom

189 North Robertson Blvd.
Beverly Hills, CA, 90211
Phone: 310-855-9470
Fax: 310-358-0238

Mid West Regional Headquarters

3100 West Dundee Road
Suite 901
Northbrook, IL, 60062
Phone: 847-714-9433
Fax: 847-714-9434



Miele Limited

Canadian Head Office

55G East Beaver Creek Road
Richmond Hill
Ontario L4B 1E5
Phone: 905-707-1171
Toll-Free: 1-800-565-6435
Fax: 905-707-0177

Internet: www.miele.ca
E-Mail: info@miele.ca
(general enquiries)
E-Mail: service@miele.ca
(technical service)

BC Regional Sales Office

3731 North Fraser Way
Unit 200
Burnaby
British Columbia V5J 5J2
Phone: 604-434-1300
Fax: 604-434-1309

Quebec Regional Sales Office

400 Laurier Avenue West
Suite 600
Montreal
Quebec H2V 2K7
Phone: 514-277-1818
Toll-Free: 1-877-636-4353
Fax: 514-277-1838